

EXTRACTION ARMS



# PRX

The ideal extractor for  
tough environments



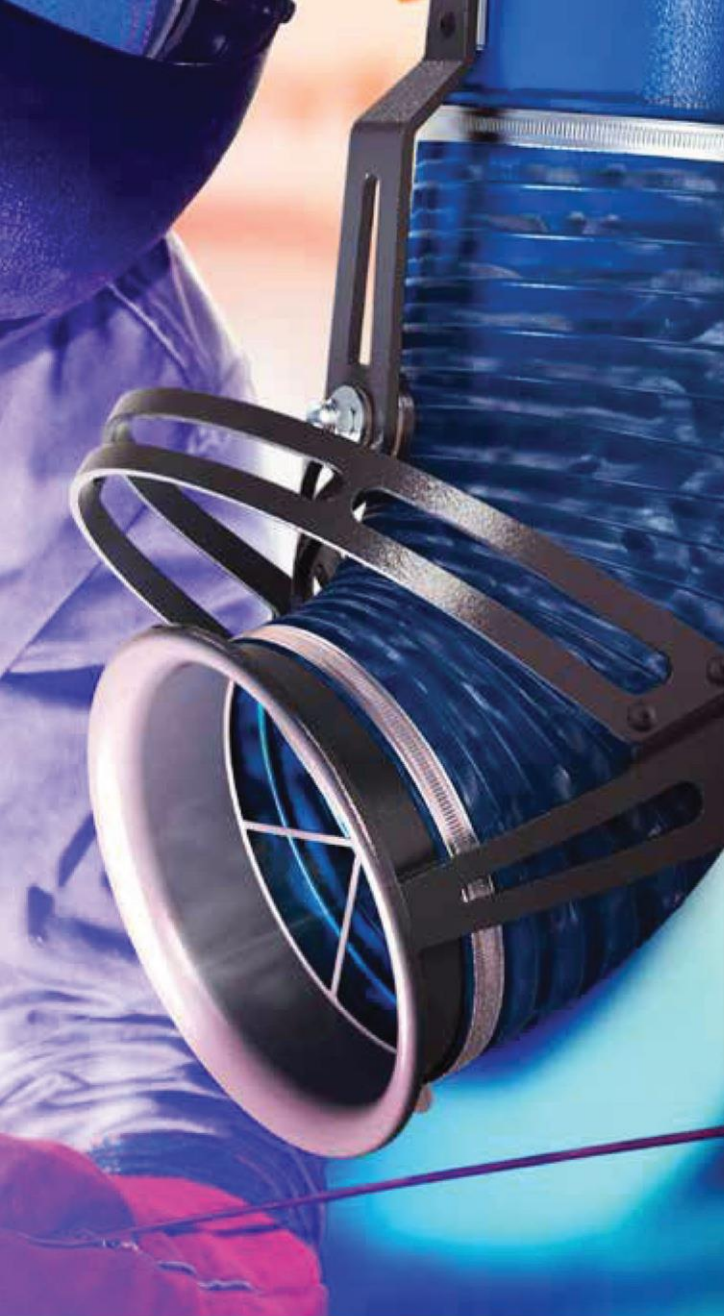
**FUMEX**

PURE ADVANTAGE



## **PRX - An effective “heavy duty” extraction arm**

The **FUMEX PRX** extraction arm is extremely easy to manoeuvre, while at the same time offering great positional stability, even with the arm fully extended. The arm is equipped with a gas spring that balances the weight of the arm. The suction nozzle can be angled through 90° in all directions, and the wall attachment has a 360° swivel function. Supplied with flame-resistant PVC hose as standard, and depending on the nature of the work there are a great many different hoses to choose between.



## External supporting joints for flexibility and other benefits

The external position of the link joints provides options for tube and hose sizes of 125, 160 and 200 mm. The design of the joints bends the hose so as to provide optimal air throughflow, thus giving the PRX arm a pressure drop that is around 50% lower than that of internal linkage systems.

## Unique adjustment of friction joints

It is very easy to make the necessary adjustment to the friction joints. Unique to the PRX is that no tools are required. The knob is easy to adjust and provides great flexibility in the desired resistance. This makes the PRX unique on the market today.

The PRX is equipped with knobs for adjusting the friction joints.

### **PRX unique on the market**

FUMEX always design their local extractors with external supporting arms. This gives a low pressure drop and small risk of blockage. The smooth interior of the suction tube makes the extractor very easy to clean.

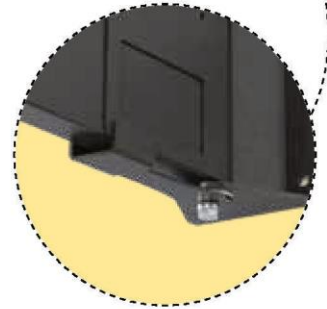


The **FUMEX PRX** has 360° swivel in cast aluminium.



## Easily manoeuvrable with friction brakes

Friction brakes are included as standard on the arms with bars and are mounted under the wall bracket. The brakes makes the local extractor easier to manoeuvre and ensure that the bar retains its selected position.



## A length to match your needs

The PRX is available in lengths of 2, 3, 4, 6, 8 and 10 metres and in sizes of Ø125, 160 and 200 mm. From 6 to 10 metres, the arm is mounted on a bar with a Ø200 mm pipe channel – regardless of the dimensions of the extractor – for the lowest possible pressure drop.

## Durable suction nozzle

The suction nozzle delivers what FUMEX always promises – a tool for a working environment free from airborne contaminants. The suction nozzle is made entirely of sheet steel with Fumex’s simple quick-coupling system for accessories.

## Ceiling and floor brackets

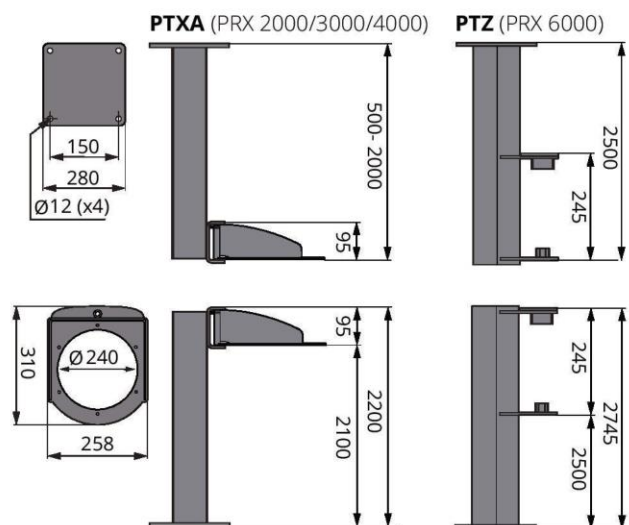
PRX is supplied with wall brackets as standard, and can also be mounted on floors and ceilings.

### PTXA

- Ceiling and floor brackets
- Available in lengths of 0.5, 1, 1.5, 2 and 2.2 metres.
- Turns 360°.

### PTZ

- Ceiling and floor brackets for bar.
- Available in lengths of 0.5, 1, 1.5, 2 and 2.5 metres.
- Turns 180°.



## Product version



### PRX STANDARD

- 360° swivel in cast aluminium.
- Brackets in dark grey powder coated steel.
- Joints in anthracite grey PA & PP.
- Pipes in dark blue powder coated aluminium.
- Hose in dark blue PVC-coated polyamide fabric.
- Conical hood in sheet steel, powder coated, anthracite grey.

### PRX WHITE

- 360° swivel in cast aluminium.
- Brackets in dark grey powder coated steel.
- Joints in anthracite grey PA & PP.
- Pipes in white powder coated aluminium.
- Hose in white PVC.
- Conical hood in sheet steel, powder coated, anthracite grey.

## Accessories

### Extension hose PFL

With magnetic nozzle and quick coupling in powder coated sheet steel.

#### Technical data - hose

Material PVC-coated polyamide fabric with fully embedded steel spring coil flame-protected according to DIN4102B2 (M2).  
 Temperature range -10 °C to +90 °C



Article	Ø (mm)	Length (mm)	Weight (kg)
PFL -125/4	125	4000	4
PFL -125/8	125	8000	6
PFL -160/4	160	4000	4
PFL -160/8	160	8000	6

### Conical hood PK

Hood with quick coupling. Aluminium, powder coated anthracite grey. Also available with LED lighting and/ or push button for fan control.

#### Technical data - LED (PK LED, PK LED/T)

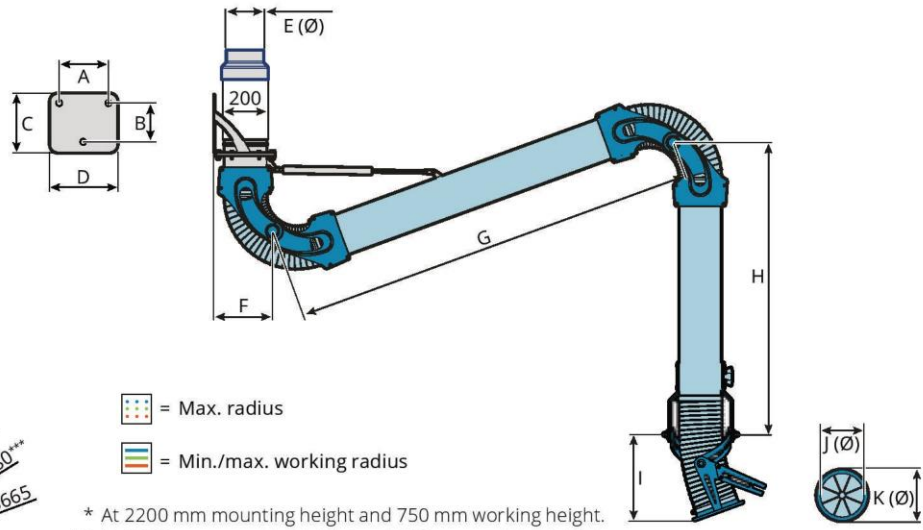
Power 5 W at 350 mA  
 Illuminance 2000 lx  
 Color temperature 6500 K



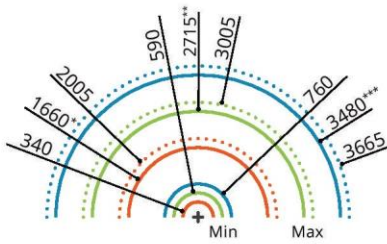
Article	A (mm)	B (mm)	C (mm)
PK-125	Ø122	Ø250	140
PK-160	Ø156	Ø300	140
PK-200	Ø199	Ø350	140

# Dimensional drawing (mm)

PRX 2000/3000/4000



## Working radius



- = Max. radius
- = Min./max. working radius

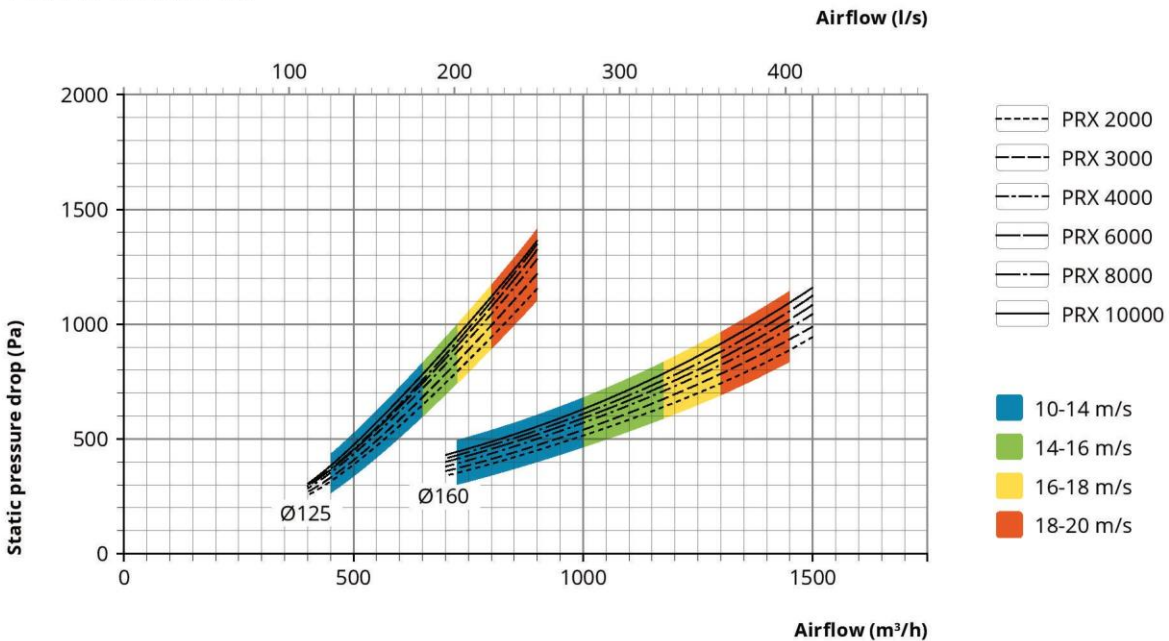
\* At 2200 mm mounting height and 750 mm working height.  
 \*\* At 2350 mm mounting height and 750 mm working height.  
 \*\*\* At 2500 mm mounting height and 750 mm working height.

Model	A*	B	C	D*	E*	F*	G	H	I*	J*	K*
PRX 2000	180	130	220	224	160	242	860	611	275	160	190
PRX 3000	180	130	220	224	160	242	1350	1111	275	160	190
PRX 4000	180	130	220	224	160	242	1750	1461	275	160	190

\* Measurements specified in the table are valid for PRX with hose dimension  $\varnothing$  160 mm and vary up to +/- 40 mm for other dimensions.

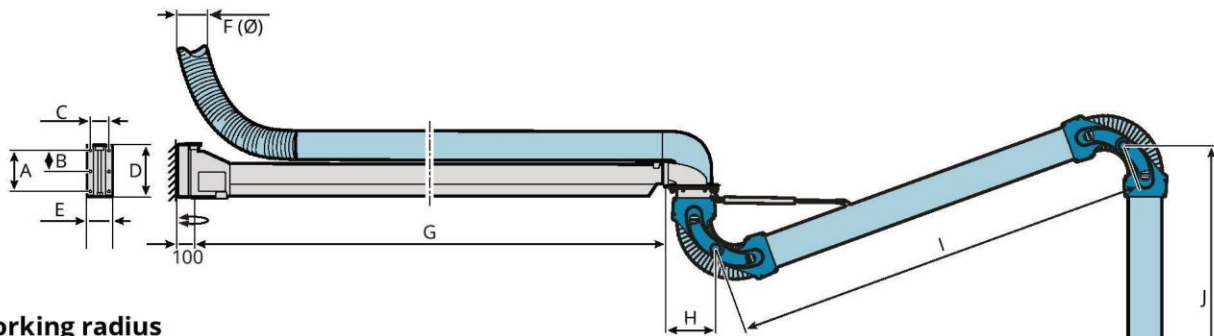
# Pressure drop diagram

PRX  $\varnothing$ 125/ $\varnothing$ 160

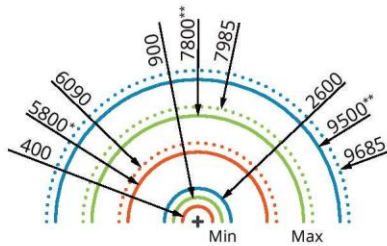


# Dimensional drawing (mm)

PRX 6000/8000/10000



## Working radius



= Max. radius  
 = Min./max. working radius

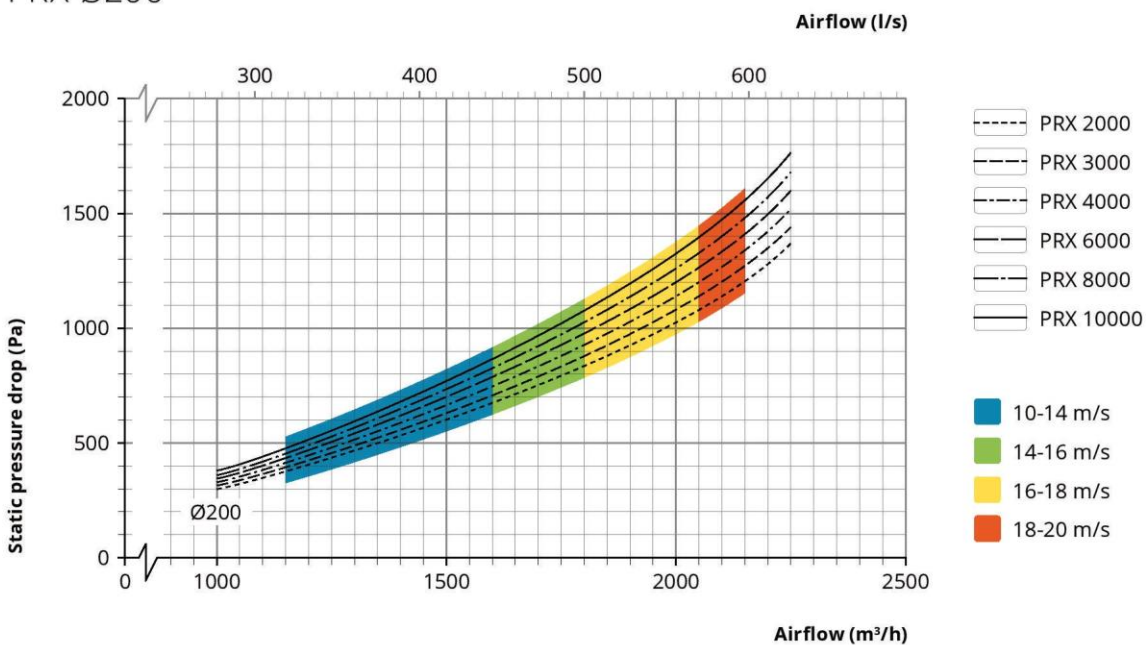
\* At 2350 mm mounting height and 750 mm working height.  
 \*\* At 2500 mm mounting height and 750 mm working height.

Model	A	B**	C	D	E	F*	G	H*	I	J	K*	L*	M*
PRX 6000	173	-	110	235	150	160	2950	253	1350	1111	275	160	190
PRX 8000	270	135	160	335	200	160	4200	253	1750	1461	275	160	190
PRX 10000	270	135	160	335	200	160	5920	253	1750	1461	275	160	190

\* Measurements specified in the table are valid for PRX with hose dimension  $\varnothing$  160 mm and vary up to +/- 40 mm for other dimensions.  
 \*\* Not applicable to PRX 6000

# Pressure drop diagram

PRX  $\varnothing$ 200



## Specifications

### Form of delivery

The extraction arm is supplied partially assembled, including wall bracket, for simple installation.

### Surface treatment

Plastic parts PA, PA 30%  
Aluminium parts Anodised  
Steel parts Blackened finish, zinc-plated or powder-coated

### Weight (kg)

Model	Ø125	Ø160	Ø200
PRX 2000	12.0	14.7	15.1
PRX 3000	13.1	16.5	18.1
PRX 4000	14.0	17.1	19.8
PRX 6000	30.2	33.2	33.9
PRX 8000	51.8	54.5	56.3
PRX 10000	66.5	69.2	70.0

### Hose type

PVC. Flame-resistant, suitable for welding and flue gases. Temperature-resistant between -10°C and +90°C.

## Always choose a low pressure drop.

A low pressure drop always saves energy. A low pressure drop also produces less noise, reduces the risk of annoying ventilation sounds, and can more easily be combined with other exhaust products in the same system.