

FUMEX® RX RF

Local extractor in stainless steel where great flexibility and efficient extraction are important



The FUMEX local extractor RX RF, with lengths 1.5, 2, 3 and 4 m, is equipped with a gas spring that balances the dead weight of the arm. For this reason, the RX RF is extremely easy to handle at the same time as it stays without rebounding when positioned, even in the outer positions. The conical hood incorporates a swivel function and may be rotated 360° and moved to a 90° angle. This allows the hood to be positioned as required.

FUMEX RX RF is manufactured fully in stainless steel and has a reinforced PE hose for the best chemical resistance.

The smooth inside of the suction tubes makes the RX RF very easy to clean. Adjustments of joints, as well as, maintenance can easily be taken care of with hand tools from the outside.

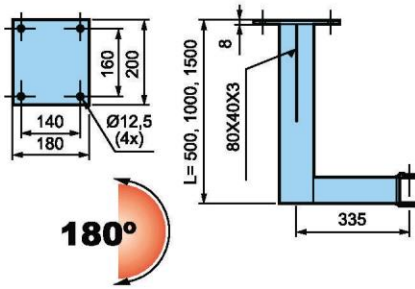
FUMEX always designs its local extractors with supporting arms on the outside, which ensures a natural and undisturbed air flow. In addition, the pressure drop will be low and there is hardly any risk of tubes being blocked.

The FUMEX RX RF is easy to install and can be delivered with brackets for ceiling mounting.

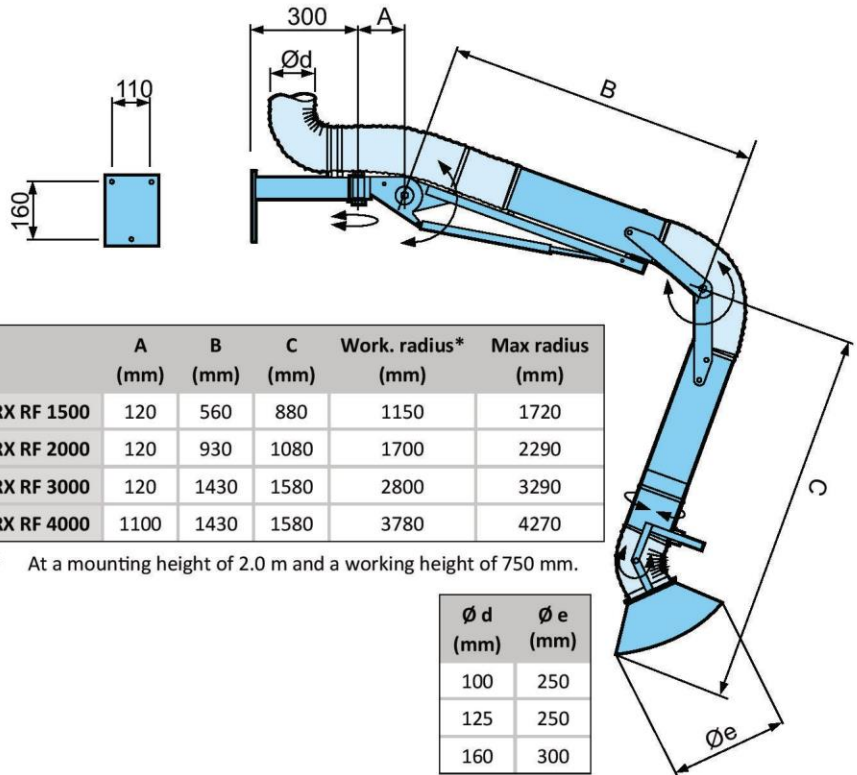
Fumex also offers a range of fans, accessories, automatic control devices and filters for our local extractors.

**LOCAL EXTRACTOR
Pure advantage**

FUMEX® RX RF

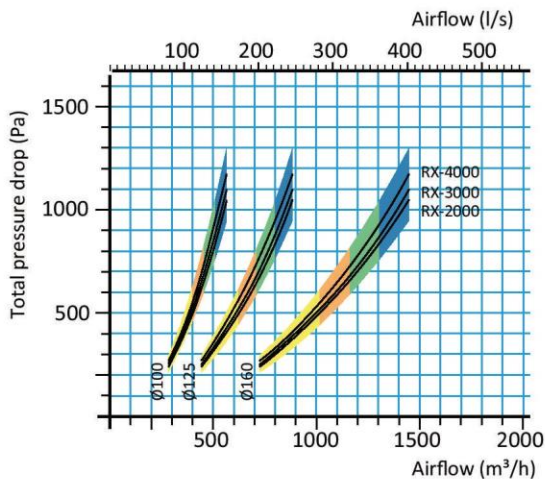


Ceiling mounting
TIX 500RF
TIX 1000RF
TIX 1500RF



* At a mounting height of 2.0 m and a working height of 750 mm.

Ø d (mm)	Ø e (mm)
100	250
125	250
160	300



The black line shows the pressure drop for the extractor when in the same position as the arm on the design above. The area in the diagram shows the pressure drop during normal use. The different tints show air velocity in the extractor according to the code below.

Yellow	10-14 m/s
Orange	14-16 m/s
Green	16-18 m/s
Blue	18-20 m/s

Hose

Reinforced Polyethylene (PE) with a bronzed spring steel coil.
For other hose qualities, contact FUMEX.

Tubes and hood

Stainless steel, AISI 316 L

Structure

Stainless steel, AISI 316

Delivery

For easy installation, the arm is delivered fully assembled including bracket for wall mounting. Accessories include brackets for ceiling mounting.

Hose

Qualities
Temperature range

Non-inflammable.
-10 °C to +80 °C

Gas spring

Working temperature
Temperature range

+20 °C
-40 °C to +90 °C

Other information

Surface treatment of metal components

Electrolytic polishing

Weight (Ø160)

RX 1500RF: 14 kg
RX 2000RF: 16 kg
RX 3000RF: 17,5 kg
RX 4000RF: 21,5 kg

TIX 500RF: 6.5 kg
TIX 1000RF: 9,5 kg
TIX 1500RF: 12 kg



Aktiv durch saubere Arbeitsluft
Tel: 08061 9393 300 - Fax: 08061 9393 314
E-Mail: office@klepp.de - www.klepp.de